



pluck & play solutions.

ARRIVAL | KILLING AND PLUCKING | **EVisCERATION** | CHILLING | WEIGHING | CUT-UP | FILLETING & DEBONING | PACKING

Automatic Cropper



Key Benefits

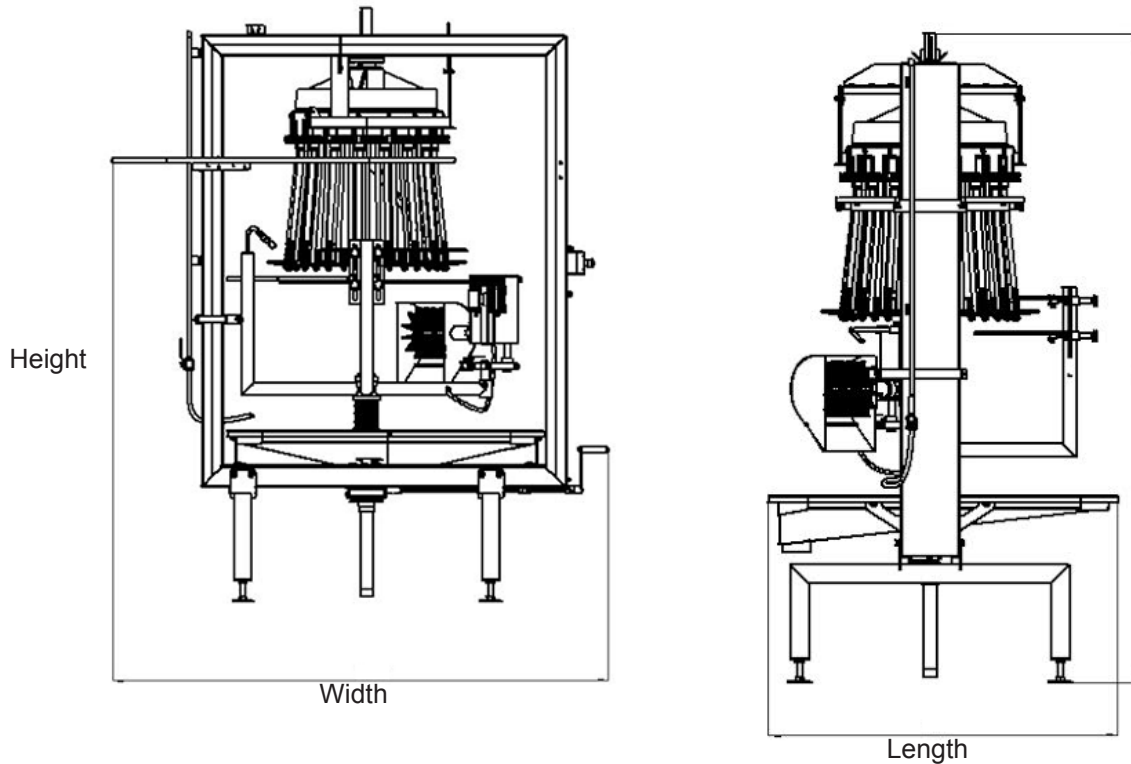
- Driven by the overhead conveyor
- Remaining windpipes and crops are removed
- Stainless steel drilling units
- Drill driving mechanism with reduced mechanical wear and extended drill life cycle
- Safety sensor which automatically halts the evisceration line upon detecting a machine jam or breakdown, preventing further damage to the line
- Rotating brush for cleaning the drilling device
- Made of stainless steel and other non-corrosive materials
- Supplied with receiving bin with central drain
- Height adjustment device



pluck & play solutions.

ARRIVAL | KILLING AND PLUCKING | **EVISCERATION** | CHILLING | WEIGHING | CUT-UP | FILLETING & DEBONING | PACKING

Automatic Cropper



Technical details

Model		CR8	CR12	CR16	CR15	CR20
Capacity	bph	3000	4500	6000	6500	10000
Live weight*	g	900 - 3200	900 - 3200	900 - 3200	900 - 3200	900 - 3200
Number of units	n	8	12	16	15	20
Shackle pitch	inch	12	8	6	8	6
Length	mm	2300	2300	2300	2480	2480
Width	mm	1500	1500	1500	1660	1660
Height	mm	2780	2780	2780	2800	2800
Weight	kg	700	750	800	750	850
Water connection	BSP	1/2"	1/2"	1/2"	1/2"	1/2"
Water usage	m3/h	0.5	0.5	0.5	0.5	0.5

* max weight variance in one flock is +/- 150g in case of live weight 700 - 1200 grams and +/- 300g in case of live weight 1200 - 1700 grams