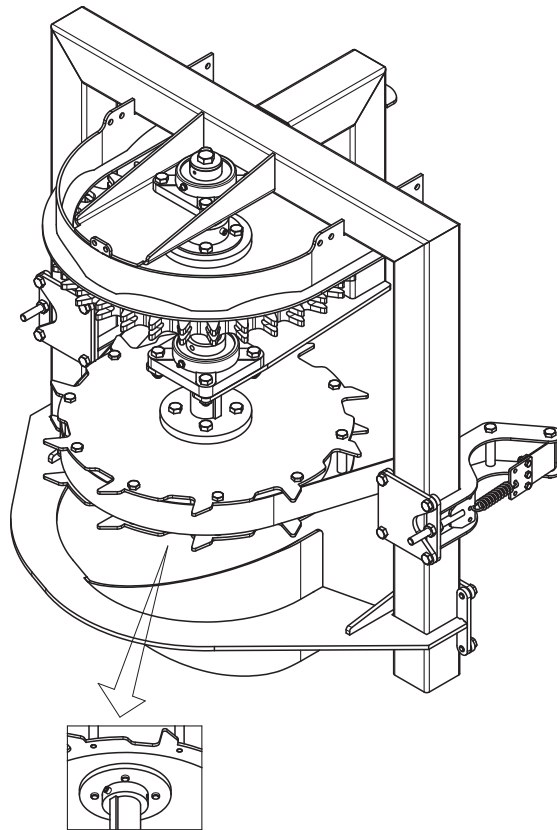


Bird Unloader



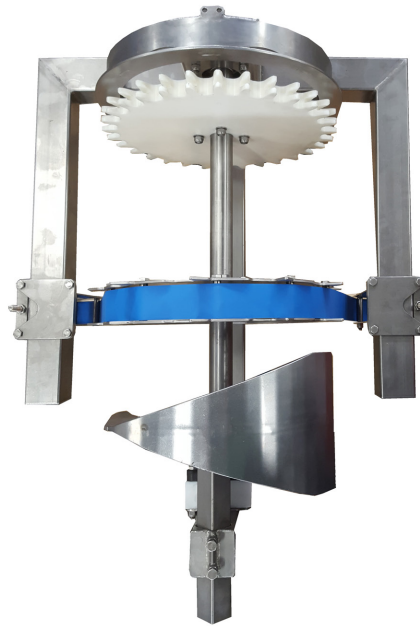
Technical data

Model		BUL 10x6	BUL 14x6
Article code		027.0027-10X6	027.0027-14X6
Types		Outward and Inward	Outward and Inward
Units		10	14
Capacity per hour	bph	up to 3000	up to 6000
Length	mm	1200	1200
Width	mm	900	900
Height	mm	1100	1100
Weight	kg	80	100



DUTCH POULTRY TECHNOLOGY
Hillegom, The Netherlands
Website: www.dutch-poultry-tech.com

This information corresponds to the most recent available information at the time of publication.
The construction and execution of the product are subject to future modification, without notice.
No rights can be derived from this publication.



Key Benefits

- Driven by overhead conveyor
- Fits in almost every evisceration line
- Simple to install
- Easy to maintain
- Made of stainless steel and other non-corrosive materials
- Right and left turning models available
- As well as outward and inward ejecting models



DUTCH POULTRY TECHNOLOGY
Hillegom, The Netherlands
Website: www.dutch-poultry-tech.com

This information corresponds to the most recent available information at the time of publication.
The construction and execution of the product are subject to future modification, without notice.
No rights can be derived from this publication.